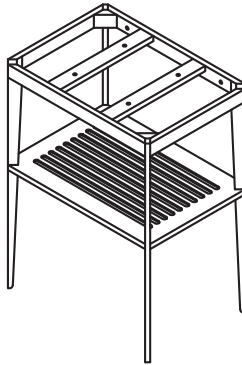


**KIT DE MUEBLE Y LAVABO**  
**SET OF CABINET AND WHASBASIN**  
**ESEMBLE MEUBLE ET VASQUE**

**REF.**  
**10110**



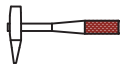
**PART LIST**

No.	Draw	QTY	Master part:
A		4	A: Screw (M6x50mm)
B		2	B: The plastic expansion
C		2	C: The hanging wall expansion screws

**Tools you will need-outils requis**



Screwdriver

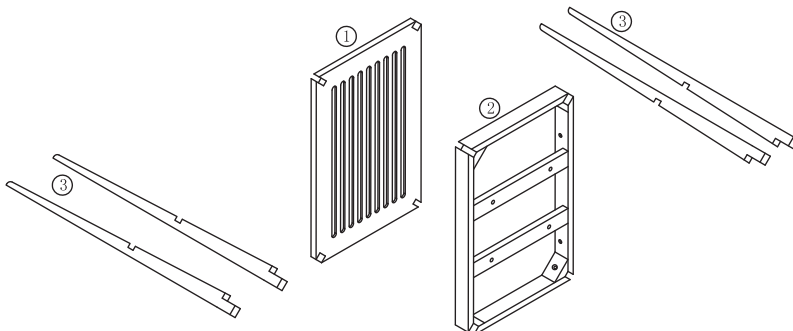


Hammera



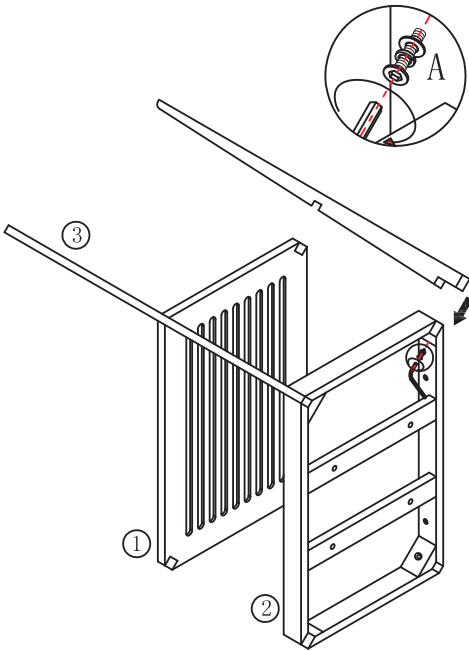
Wrench

**REPLACEMENT PARTS**



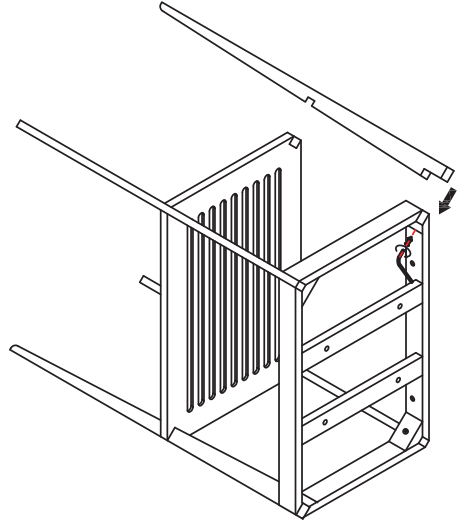
## Step 01

---



## Step 02

---



## Finished

---

